

Piezosignalgeber (ohne Ansteuerung) RMP-22P Art.-Nr.: 180040

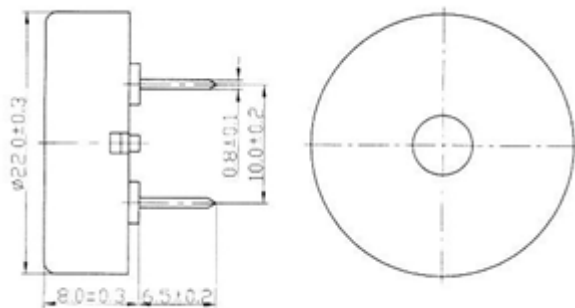
Specification :

TYPE	UNIT	RMP-22P
• Min. Sound Pressure Level	dB	85
Rated Voltage	V _{p-p}	9
Operating Voltage	V _{p-p}	1~30
Resonant Frequency	Hz	4.000±500
• Max. Current Consumption	mA	2mA
Capacitance at 120Hz	pF	14.000±30%
Operating Temperature	°C	-20~+70
Storage Temperature	°C	-30~+80

- Value applying at rated voltage

Dimensions :

(Unit : mm)



Frequency response :

